

RFSSV356-448

Features:

- Long Battery Life
- Economical
- Small & Rigid design

Description:

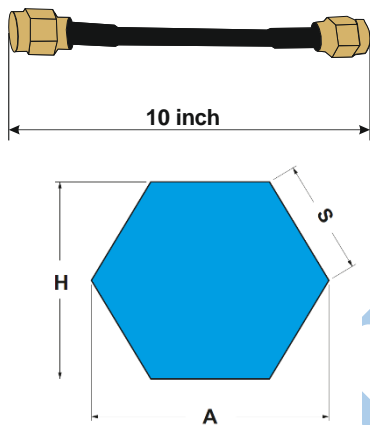
The RFSSV356-448 is a Signal Source which operates in frequency ranges from 35 MHz to 4.4 GHz. The signal output uses an SMA connector to facilitate the connection to RF test equipment.

Applications:

- Wireless infrastructure (W-CDMA, TD-SCDMA, WiMAX, GSM, PCS, DCS, DECT)
- Test equipment
- Wireless LANs, CATV equipment
- Clock generation

Standard Accessories:

- Charger
- SMA(M) to SMA(M) 50 Ohms cable 10"



Electrical Specifications:

Frequency Range:	35 MHz to 4.4 GHz
Output Power :	+5 to – 31.5 dBm
Step Size :	0.25 dB
Output Impedance:	50 Ohm
Mode of Operation	Single/Sweep
Sweep Time	1s/2s/5s/10s
Phase Noise	-110 dBc/Hz @ 100KHz
Center Frequency Drift	±0.1 %
Output Power Variation	±1 dBm
OLED Display :	27.0 X 11.5 mm (128 X 32)
Operating temperature:	0 °C to 50 °C
Battery Operation :	8 Hours on a single charge
Output Connector:	SMA (F)
Power Consumption:	1.10 Watt (Max.)

Mechanical Specifications:

Shape:	Hex Shape
Weight:	500 gm
Size (A x H x S) mm:	165.5 x 143.3 x 82.74

